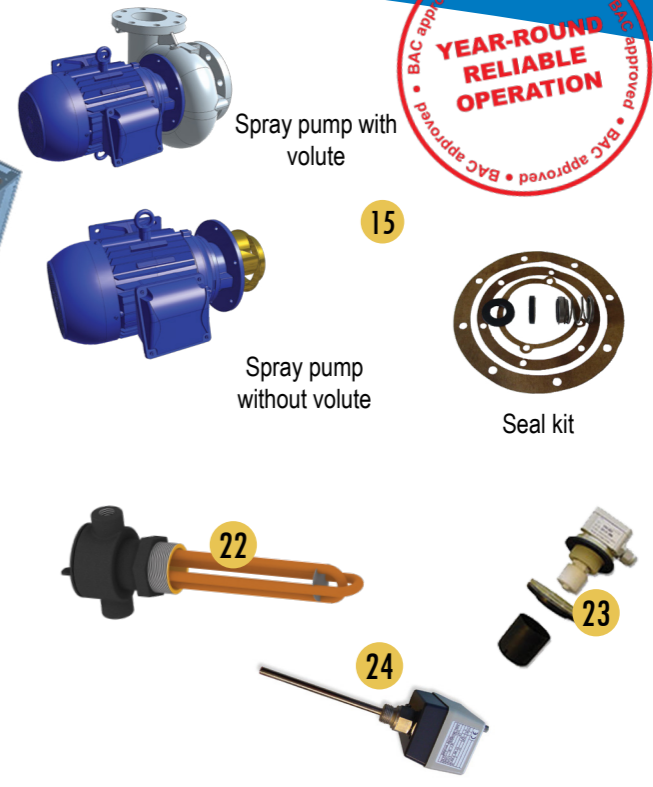
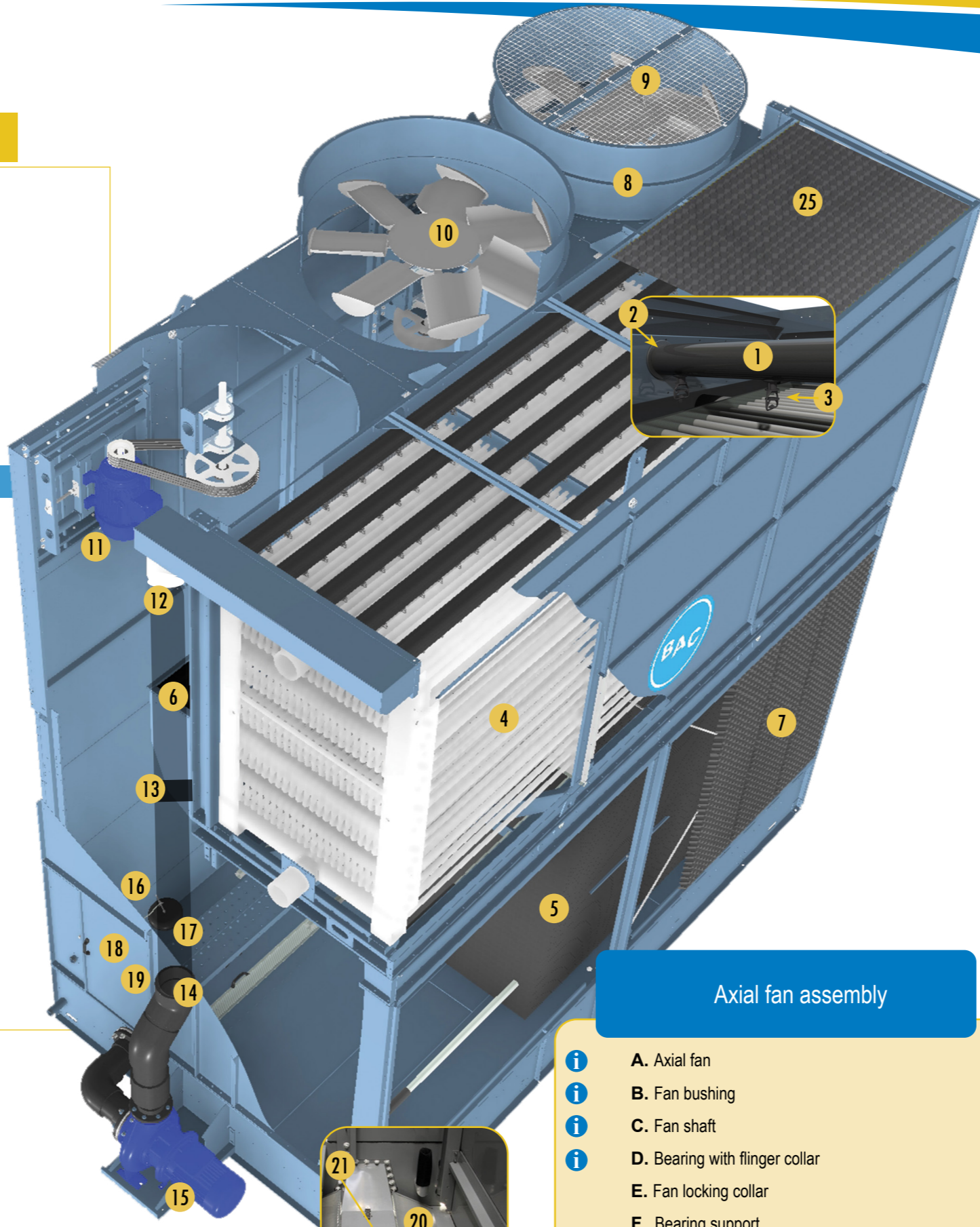


CXVE >>>



Fill, Coil & Pan Section

- i** 1. Spray branches
- i** 2. Spray branch grommets
- i** 3. Spray nozzles & nozzles grommets
- i** 4. Coil
- i** 5. BACross 2 - Fill sheets with integrated drift eliminators
- i** 6. Drift eliminators
- i** 7. Combined inlet shields
- i** 8. Fan cylinder
- i** 9. Fan guard
- i** 10. Axial fan assembly (see detailed view)
- i** 11. Motor base & adjust rod
- i** 12. Upper pump piping
- i** 13. Sleeve & clamps (not visible)
- i** 14. Lower pump piping
- i** 15. Spray pump
with volute without volute seal kit
- i** 16. Make-up valve assembly
- i** 17. Float ball
- i** 18. Access door
- i** 19. Bleed line with manual valve (not visible)
- i** 20. Pan strainer
- i** 21. Pan strainer hood
- i** 22. Heater
- i** 23. Low level cut out switch
- i** 24. Heater thermostat
- i** 25. Top air inlet shields ((option))



Spare parts for condenser

Client contact information

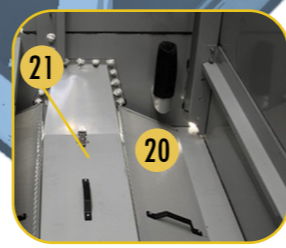
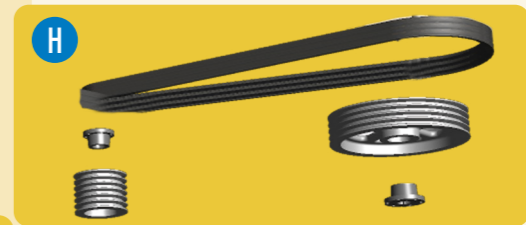
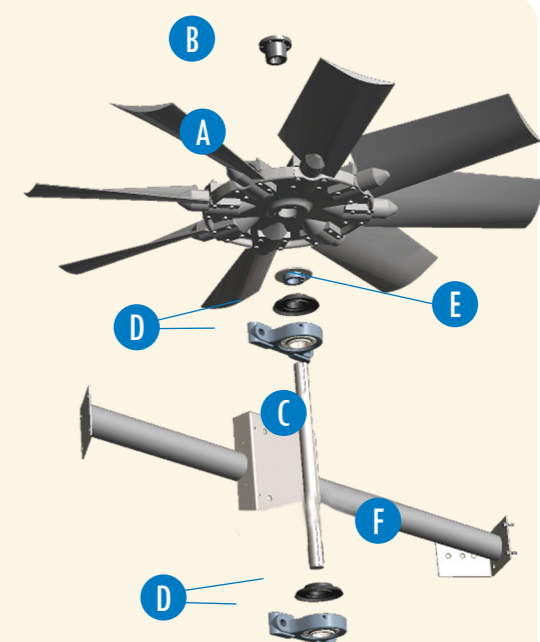
Name _____
 Company _____
 Telephone _____
 Email _____
 Unit model _____
 Serial number _____

Your BAC contact

Name _____
 Telephone _____
 Email _____

Axial fan assembly

- i** A. Axial fan
- i** B. Fan bushing
- i** C. Fan shaft
- i** D. Bearing with flinger collar
- i** E. Fan locking collar
- i** F. Bearing support
- i** G. Impervix Fan motor
- i** H. Drive set
 Motor sheave & bushing
 Aluminium fan sheave & bushing
 Belt set



Quantities may vary according to the unit type.

This is not an official order form.

