

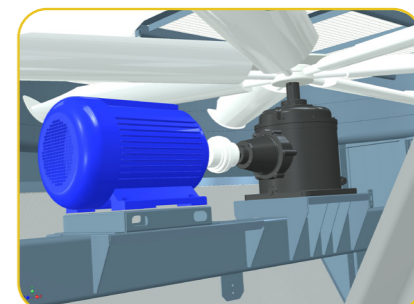
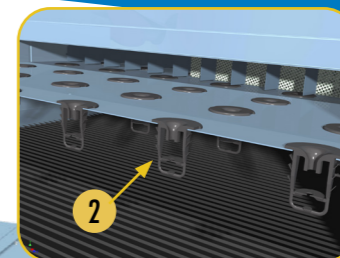
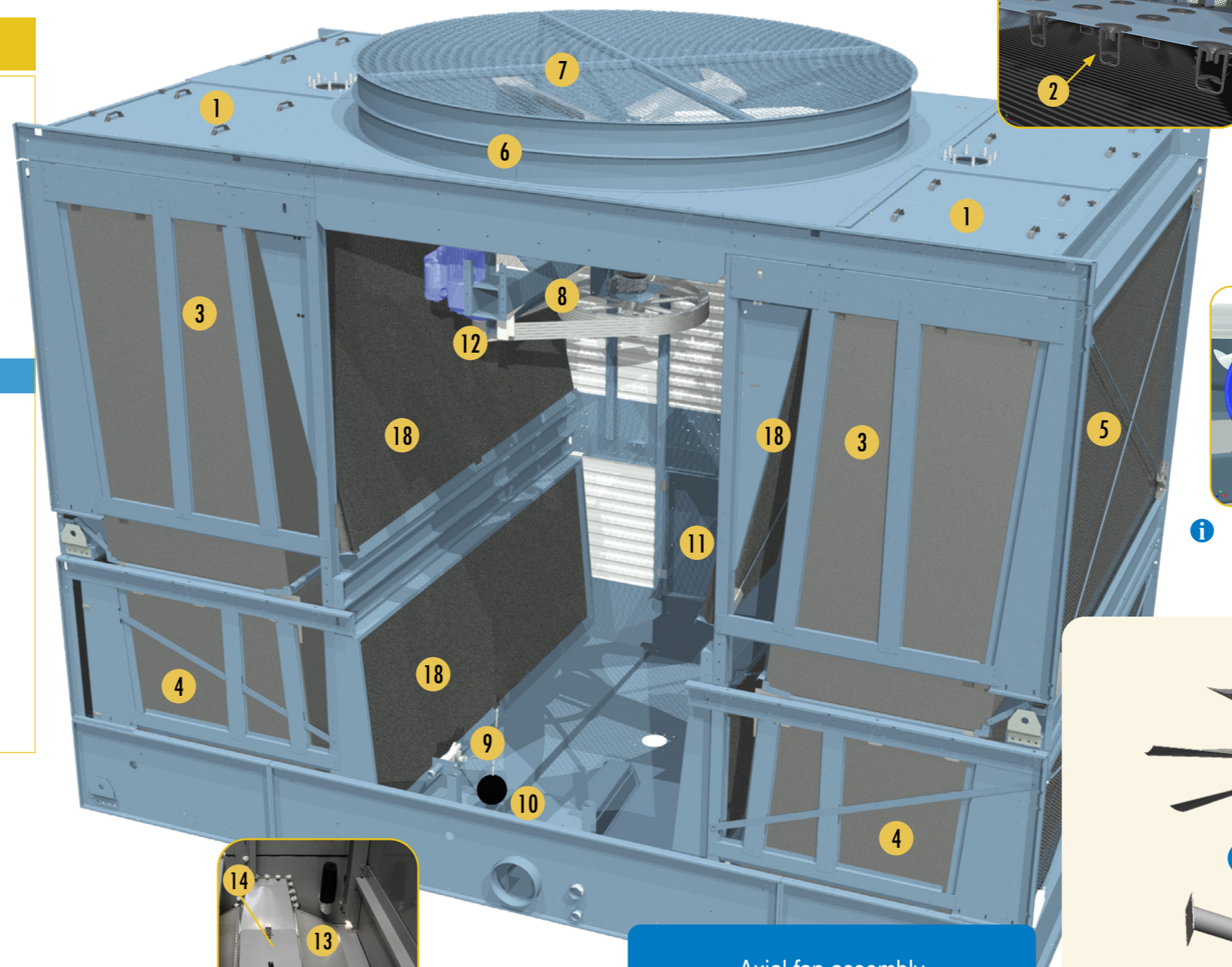
# S3000E >>>



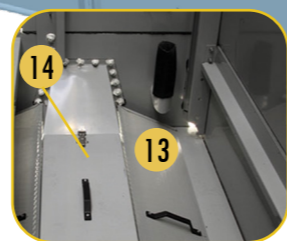
Spare parts for cooling tower

## Fill & Pan Section

- i 1. Hot water basin
- i 2. Nozzles
- i 3. BACross 3 - Fill sheets with integrated drift eliminators
- i 4. BACross 3 - Lower fill sheets with integrated drift eliminators (certain models)
- i 5. Combined inlet shields
- i 6. Fan cylinder
- i 7. Fan guard
- i 8. Axial fan assembly - (see detailed view)
- i 9. Make-up valve assembly
- i 10. Float ball
- i 11. Access door
- i 12. Motor base & adjust rod
- i 13. Pan strainer
- i 14. Pan strainer hood
- i 15. Heater
- i 16. Low level cut out switch
- i 17. Heater thermostat
- i 18. Additional layer of drift eliminators (certain models)



i Gear box driven (option)



## Client contact information

Name \_\_\_\_\_  
 Company \_\_\_\_\_  
 Telephone \_\_\_\_\_  
 Email \_\_\_\_\_  
 Unit model \_\_\_\_\_  
 Serial number \_\_\_\_\_

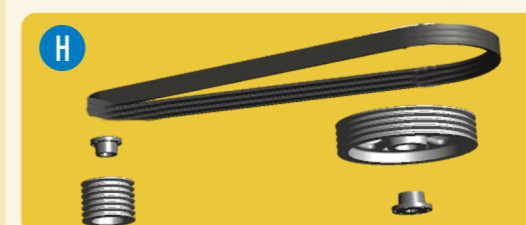
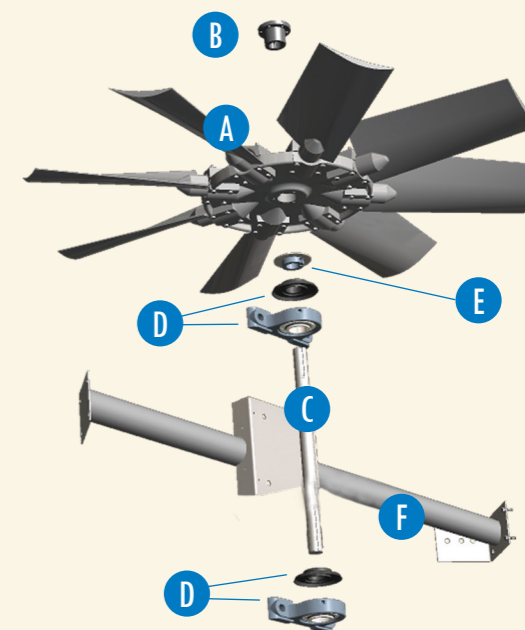


Name \_\_\_\_\_  
 Telephone \_\_\_\_\_  
 Email \_\_\_\_\_



## Axial fan assembly

- i A. Axial fan
- i B. Fan bushing
- i C. Fan shaft
- i D. Bearing with flinger collar
- i E. Fan locking collar
- i F. Bearing support
- i G. Impervix Fan motor
- i H. Drive set
  - i Motor sheave & bushing
  - i Aluminium fan sheave & bushing
- i Belt set



Quantities may vary according to the unit type.