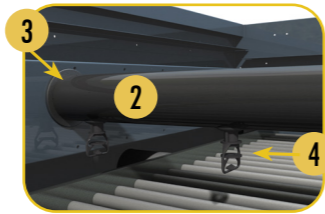




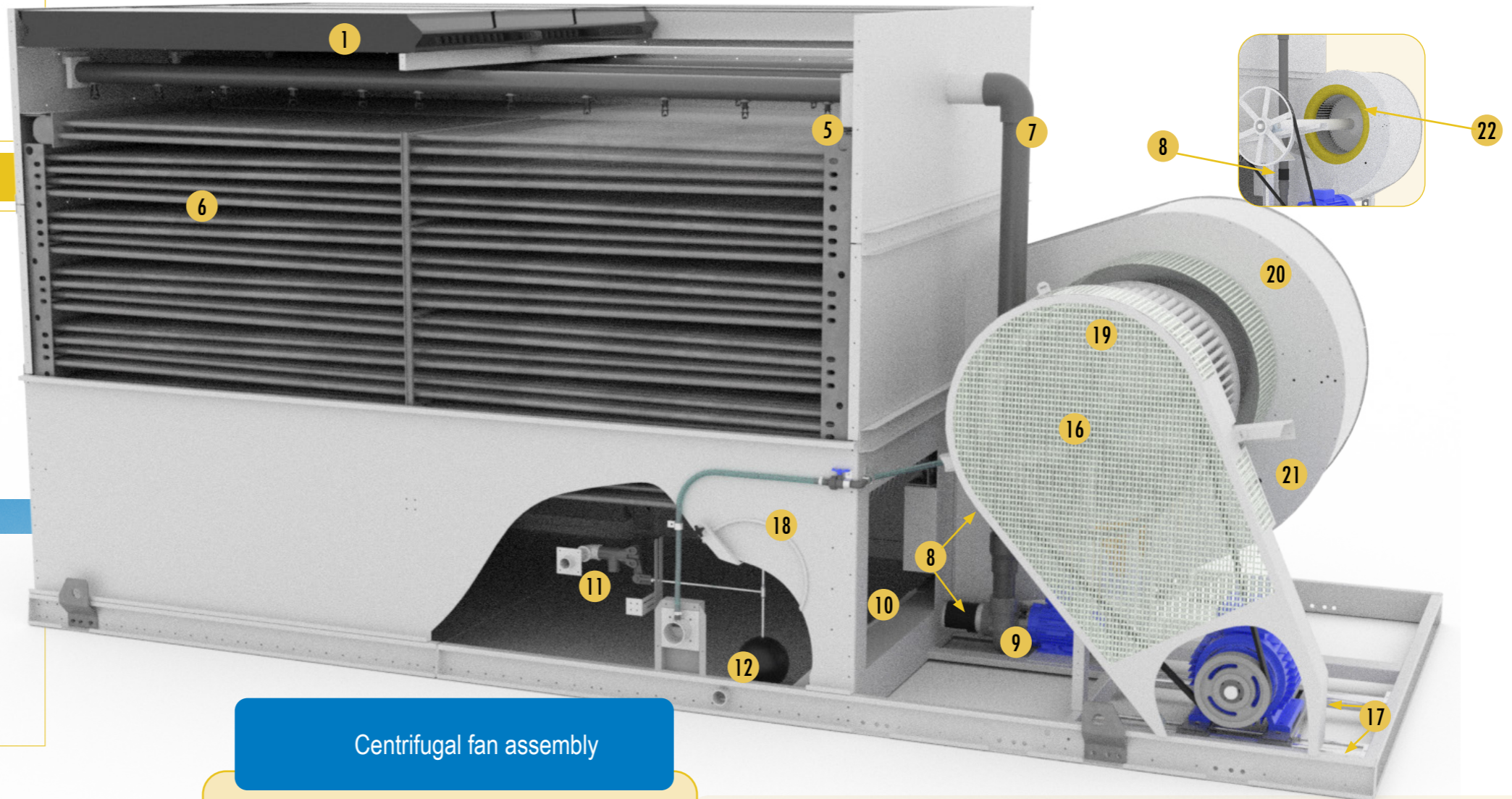
Coil Casing Section

- 1. Drift eliminators
- 2. Spray branches
- 3. Spray branch grommets
- 4. Spray nozzles & nozzles grommets
- 5. Spray header
- 6. Coil(s)
- 7. Pump piping
- 8. Sleeve & clamps



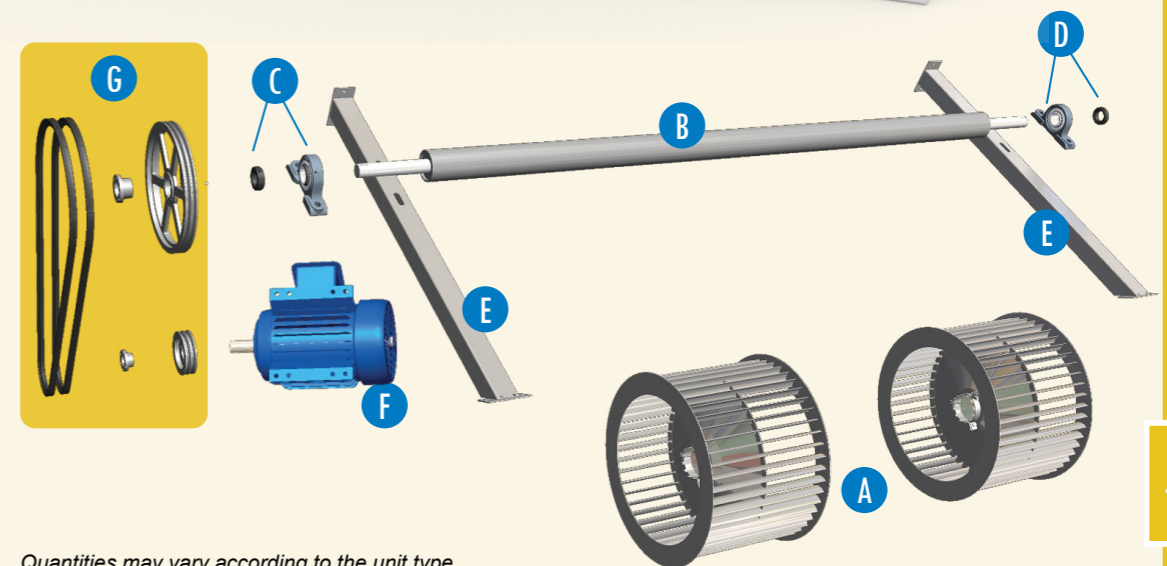
Pan Fan Section

- 9. Spray pump
with volute without volute seal kit
- 10. Strainer
- 11. Make-up valve & arm
- 12. Float ball
- 13. Heater
- 14. Heater thermostat
- 15. Low level cut out switch
- 16. Centrifugal fan assembly (see detailed view)
- 17. Motor base with adjuster
- 18. Access door & gasket
- 19. Fan guard
- 20. Fan housing - upper
- 21. Fan housing - lower
- 22. Fan inlet ring



Centrifugal fan assembly

- A.** Centrifugal fan wheel
- B.** Fan shaft
- C.** Bearing drive end with locking collar
- D.** Bearing non-drive end with locking collar
- E.** Bearing support
- F.** Fan motor
- G.** Drive set
 - Motor sheave & bushing
 - Fan sheave & bushing
 - Belt set



Client contact information

Name _____
 Company _____
 Telephone _____
 Email _____
 Unit model _____
 Serial number _____



Your BAC contact

Name _____
 Telephone _____
 Email _____

