

Coil Casing Section

- i** 1. Drift eliminators
- i** 2. Spray branches
- i** 3. Spray branch grommets
- i** 4. Spray nozzles & nozzles grommets
- i** 5. Spray header
- i** 6. Coil(s)
- i** 7. Upper pump piping
- i** 8. Sleeve & clamps

Pan Fan Section

- i** 9. Lower pump piping
- i** 10. Spray pump with volute
- i** 10. Spray pump without volute*
- i** 10. seal kit
- i** 11. Pan strainer
- i** 12. Pan strainer hood
- i** 13. Make-up valve & arm
- i** 14. Float ball
- i** 15. Heater
- i** 16. Heater thermostat
- i** 17. Low level cut out switch
- i** 18. Axial fan
- i** 19. Fan guard
- i** 20. Fan air inlet shields
- i** 21. Access door & gasket

*Only for 8' wide units

Client contact information

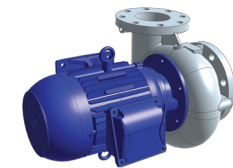
Name _____
 Company _____
 Telephone _____
 Email _____
 Unit model _____
 Serial number _____



Your BAC contact

Name _____
 Telephone _____
 Email _____

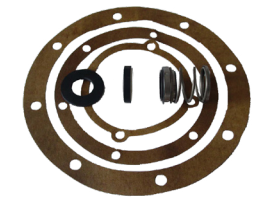
This is not an official order form.



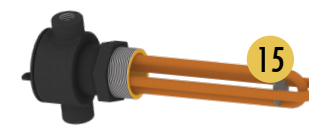
Spray pump with volute



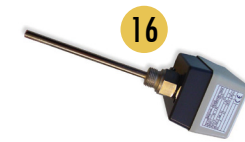
Spray pump without volute*



Seal kit



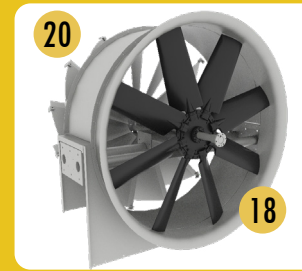
15



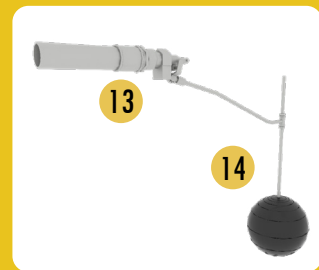
16



17



Axial fan - Fan air inlet shields

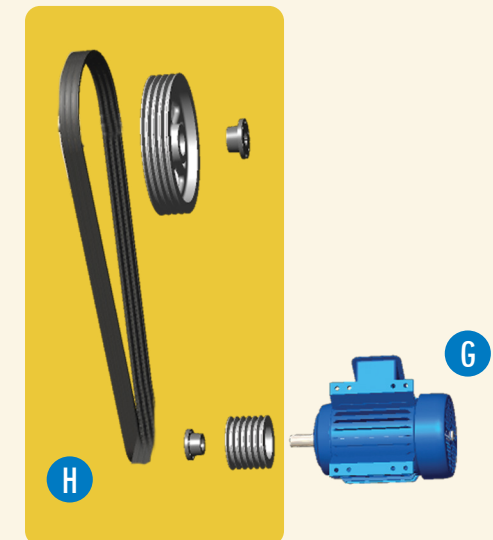
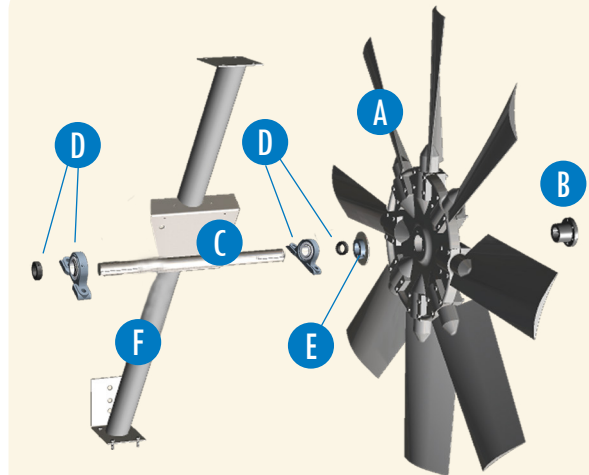


Make-up valve & arm - Float ball

Axial fan assembly

- i** A. Axial fan
- i** B. Fan bushing
- i** C. Fan shaft
- i** D. Bearing
- i** E. Fan locking collar
- i** F. Bearing support
- i** G. Impervix Fan motor
- i** H. Drive set

- i** Motor sheave & bushing
- i** Aluminium fan sheave & bushing
- i** Belt set



Spare parts for condenser



Quantities may vary according to the unit type.