



Fill Casing Section

- 1. Drift eliminators
- 2. Fill kit & fill supports
- 3. Spray nozzles & nozzles grommets
- 4. Spray branches
- 5. Spray branch grommets
- 6. Spray header

Pan Fan Section

- 7. Fan housing - upper
- 8. Fan housing - lower
- 9. Fan guard
- 10. Motor base with adjuster
- 11. Strainer (not visible)
- 12. Make-up valve assembly
- 13. Float ball
- 14. Centrifugal fan assembly (see detailed view)
- 15. Heater
- 16. Low level cut out switch
- 17. Heater thermostat
- 18. Access door & gasket
- 19. Fan inlet ring



Client contact information

Name _____
 Company _____
 Telephone _____
 Email _____
 Unit model _____
 Serial number _____

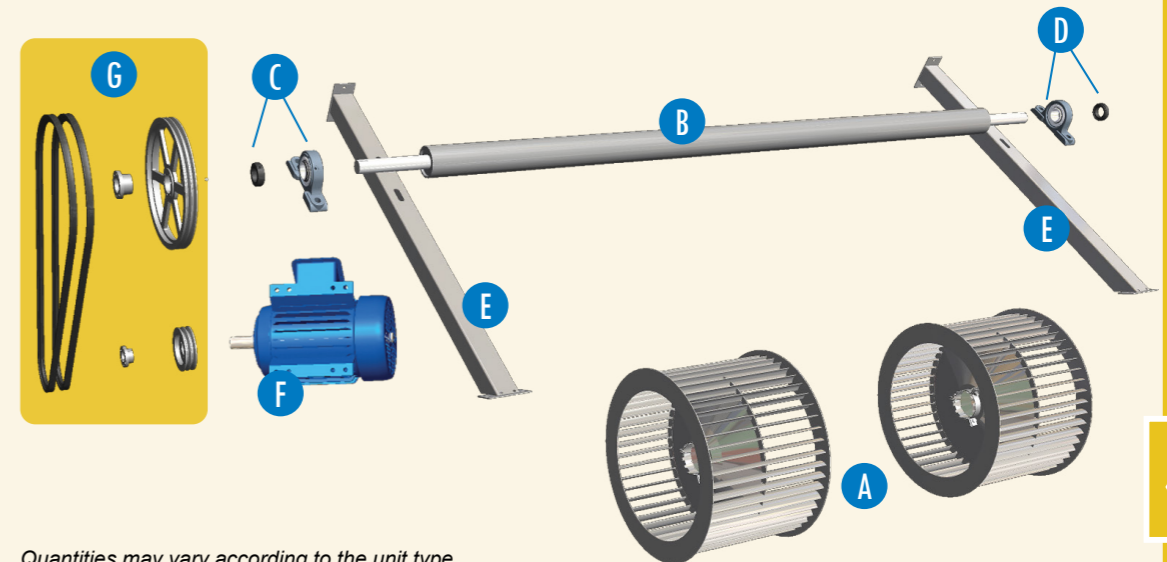


Your BAC contact

Name _____
 Telephone _____
 Email _____

Centrifugal fan assembly

- A. Centrifugal fan wheel
- B. Fan shaft
- C. Bearing drive end with locking collar
- D. Bearing non-drive end with locking collar
- E. Bearing support
- F. Fan motor
- G. Drive set
 - Motor sheave & bushing
 - Fan sheave & bushing
 - Belt set



Quantities may vary according to the unit type.

