

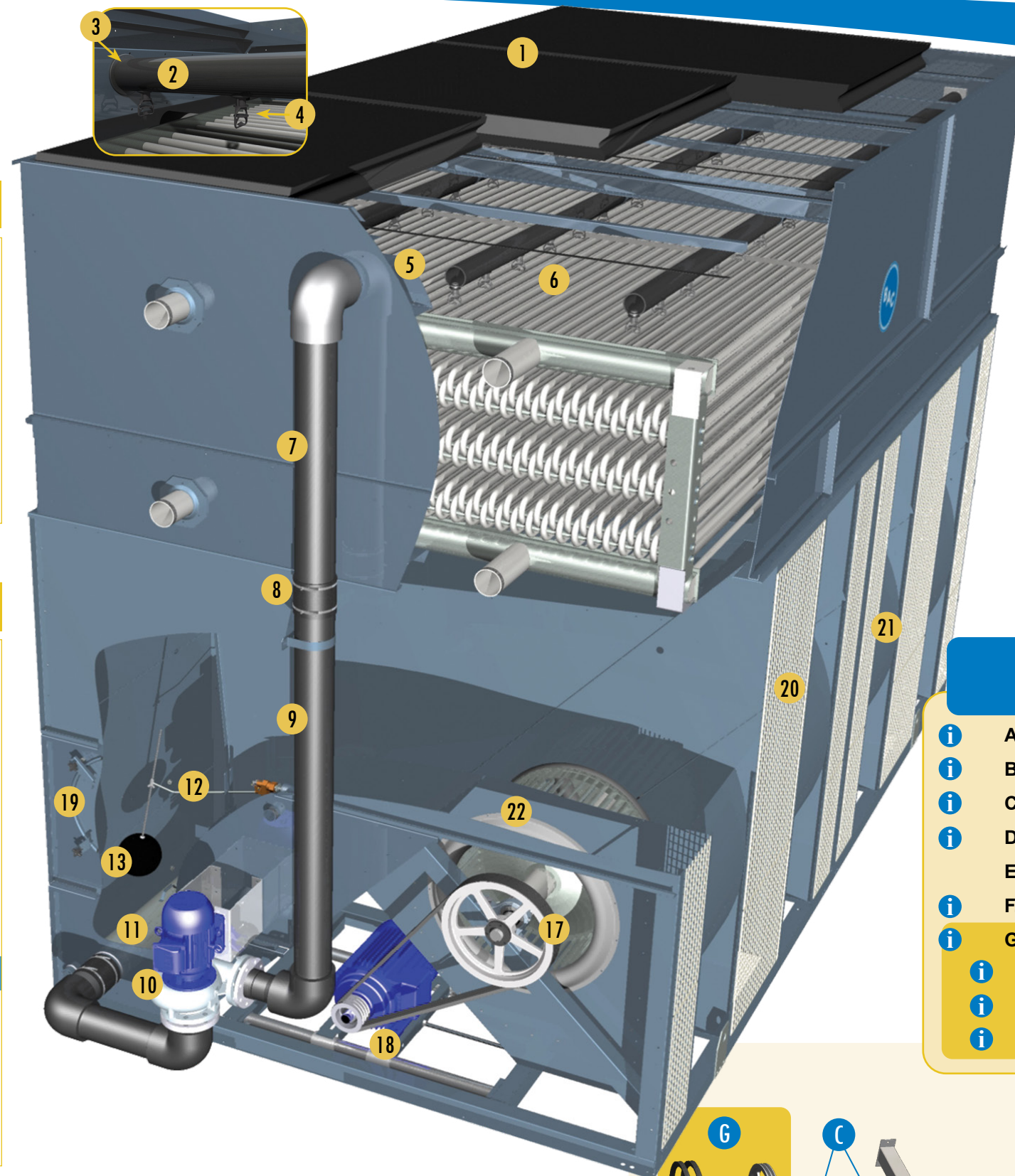


Coil Casing Section

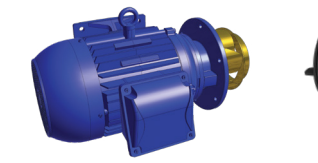
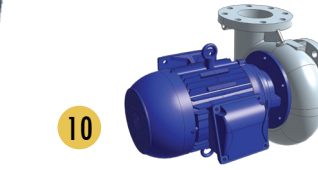
- 1. Drift eliminators
- 2. Spray branches
- 3. Spray branch grommets
- 4. Spray nozzles & nozzles grommets
- 5. Spray header
- 6. Coil(s)
- 7. Upper pump piping
- 8. Sleeve & clamps

Pan Fan Section

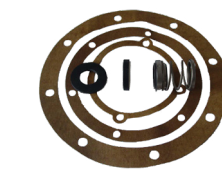
- 9. Lower pump piping
- 10. Spray pump
 - with volute
 - without volute
 - seal kit
- 11. Strainer
- 12. Make-up valve & arm
- 13. Float ball
- 14. Heater
- 15. Heater thermostat
- 16. Low level cut out switch
- 17. Centrifugal fan assembly (see detailed view)
- 18. Motor base with adjuster
- 19. Access door & gasket
- 20. Fan guard
- 21. Fan housing & fan snout
- 22. Fan inlet ring



Spray pump with volute



Spray pump without volute

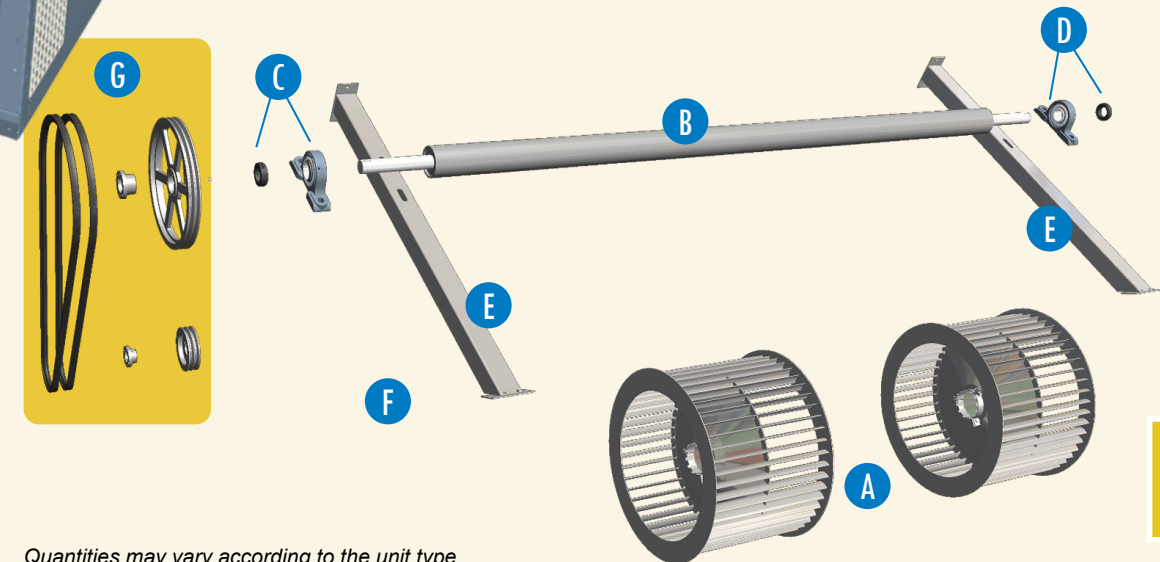


Seal kit



Centrifugal fan assembly

- A. Centrifugal fan wheel
- B. Fan shaft
- C. Bearing drive end with locking collar
- D. Bearing non-drive end with locking collar
- E. Bearing support
- F. Impervix Fan motor
- G. Drive set
 - Motor sheave & bushing
 - Fan sheave & bushing
 - Belt set



Client contact information

Name _____

Company _____

Telephone _____

Email _____

Unit model _____

Serial number _____



Your BAC contact

Name _____

Telephone _____

Email _____

This is not an official order form.

Quantities may vary according to the unit type.

Spare parts for cooling tower

